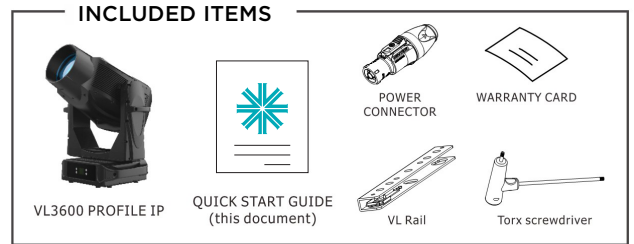


VL3600 PROFILE IP

OVERVIEW

This document provides basic setup instructions and safety warnings for the following product(s):

VL3600	74817-001	VL3600-Touring Black
VL3600	74817-101	VL3600-Touring White
VL3600	74817-900	VL3600-Flight Case insert
VL3600	74817-011	VL3600-Install Black
VL3600	74817-111	VL3600-Install White



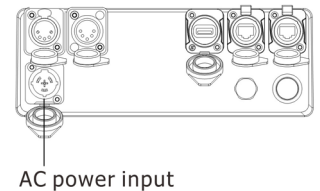
INSTALLATION AND SETUP

CONNECTING POWER

This fixture requires standard AC power distribution from 120-240VAC, 50/60 Hz. Current required depends on the AC supply voltage and product model.

NOTE: The mating True1 IP 65 compatible connector is supplied; however, you will need to purchase or construct a cable appropriate for your application.

Depending on the application, the luminaire's AC input cable may require a different connector. If required, install a new connector meeting your requirements using the following wire color code reference:



WIRE*	CONNECTION
Green/yellow	AC ground
Blue	AC neutral
Brown	AC line

* International (Harmonized) Standard

WARNING: DO NOT connect to three-phase service in countries with 240V power.



Single-phase power from 120-240V RMS:

CONNECTION	PIN
AC neutral	X
AC line	Y
Ground (earth)	G

Two-phase power at 208V RMS:

CONNECTION	PIN
Phase 1	X
Phase 2	Y
Ground (earth)	G

VL3600 PROFILE IP

CURRENT VERSUS VOLTAGE

TABLE 1 provides the luminaire's current draw at specific voltages. Total luminaire current is calculated with the lamp on and all motors sequencing.

CONNECTING DATA

A maximum of 32 luminaires may be connected in any one DMX data link.

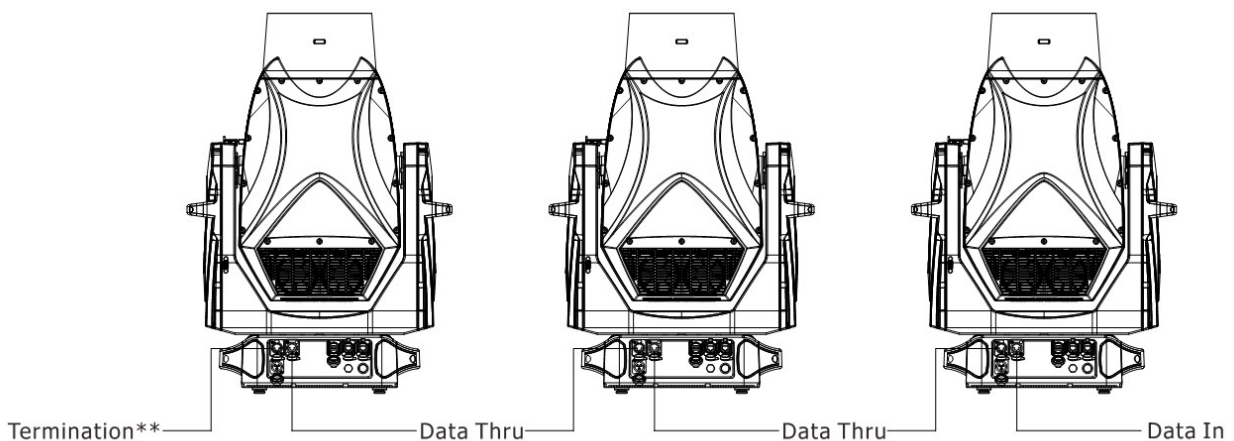
NOTE: This maximum limit applies to the luminaire “daisy chain” only. Your system or console may require fewer luminaires on a single data link path. Consult your console documentation for more information.

TABLE 1. CURRENT VS. VOLTAGE (1000W LED)

AC VOLTAGE AT 60HZ	TOTAL LUMINAIRE CURRENT	TOTAL LUMINAIRE POWER	PFC
120V	12.66A	1505W	0.996
180V	8.22A	1475W	0.988
208V	7.12A	1472W	0.987
230V	6.32A	1460W	0.987
240V	6.12A	1445W	0.983
264V	5.58A	1440W	0.980
277V	5.38A	1435W	0.966

To connect power and data:

- Step 1. Connect data cable from console to first luminaire in chain at DATA IN connector.
- Step 2. If required, connect additional data cables from DATA THRU connectors to DATA IN connectors of remaining luminaires in link.
- Step 3. At last luminaire in link, install male termination connector at DATA THRU connector. (Luminaires and other devices on the same DMX chain may not function properly without termination.)



- Step 4. Connect AC Input Cable connector to power input source.
- Step 5. Dress AC input and data cables and secure them so that they will not interfere with luminaire head and yoke movement.

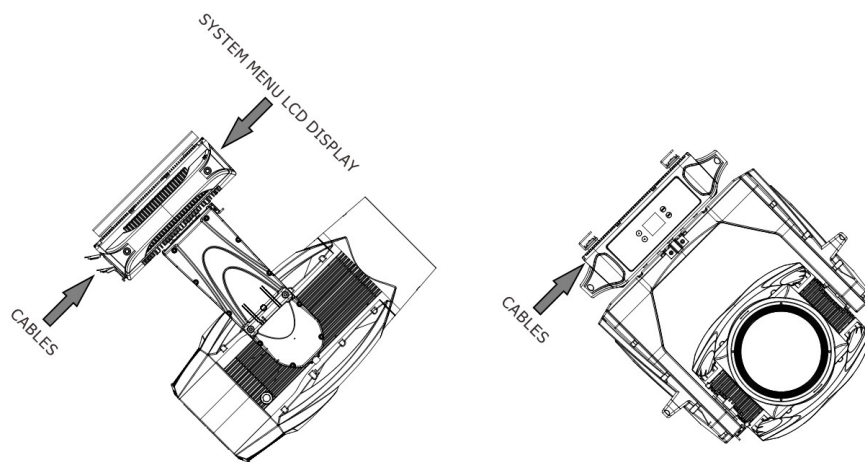
VL3600 PROFILE IP

FLOOR MOUNTING

All luminaires included in this manual are designed to sit directly on its base in a floor installation application. When used in this type of application, be sure to leave enough space around the luminaire to allow proper, uninterrupted airflow for cooling and movement.

HANGING THE FIXTURE

The VL3600 PROFILE IP can be hung horizontally or 45° vertically from any structure designed to work with the type of load created by this moving luminaire. Two mounting truss hooks or other mounting hardware are required. Many compatible truss hooks are available from different manufacturers for your particular needs.



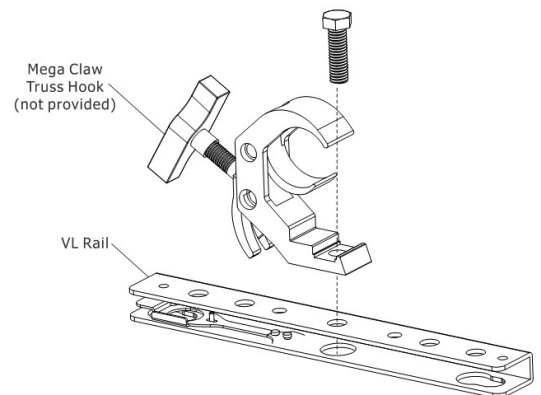
A minimum of two hooks per luminaire is required. If mounting method does not use truss hooks, two attachment points, per luminaire, are required.

Install mounting hardware and brackets:

- Step 1. Install truss hooks on two provided truss hook brackets as required as shown.

NOTE: Various types of truss hooks can be used. The Mega Claw truss hook, as well as many other standard hooks, can be ordered separately.

- Step 2. Determine required configuration of bracket installation. Brackets may be installed in many different orientations as shown.
- Step 3. While pulling up on locking mechanism release, fit keyed holes onto raised mounting buttons at bottom of enclosure. Slide forward and release locking mechanism to lock in place. Ensure brackets are locked securely.



WARNING: Ensure that the bracket locking mechanism is fully seated after the bracket is installed on the fixture.

VL3600 PROFILE IP

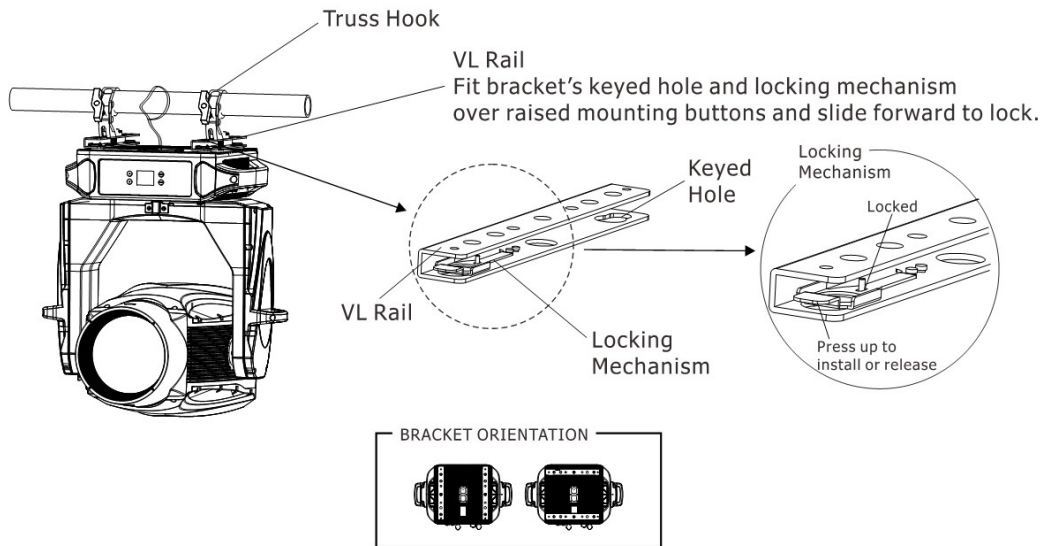
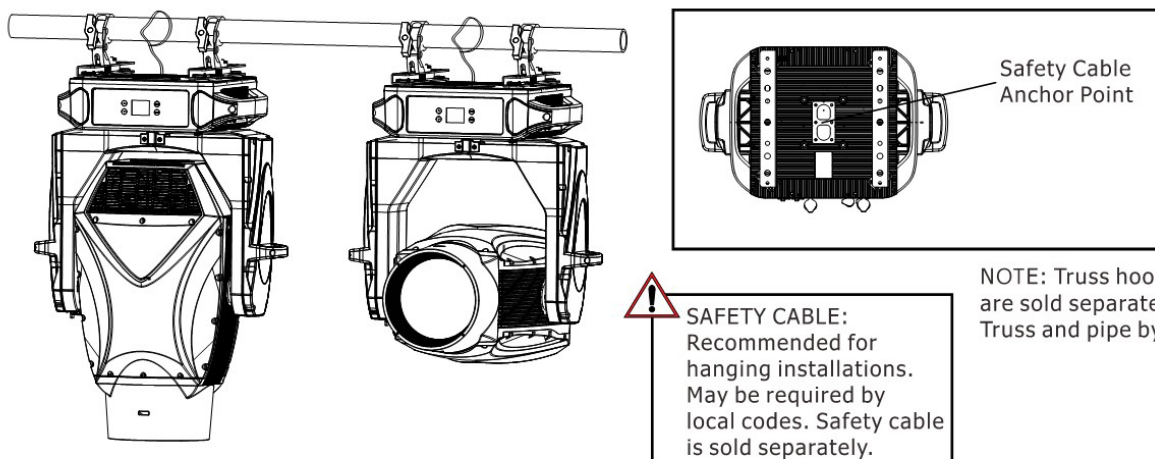


FIGURE 1. INSTALLING BRACKETS ON LUMINAIRE ENCLOSURE

Installing in Truss:

- Step 1. Using two people, lift luminaire into mounting position.
- Step 2. Secure in place with truss hook. Ensure truss hook hardware that locks hook in place (e.g. wing bolt) is properly tightened and that luminaire is fully supported.
- Step 3. Attach safety cable (as required) as follows:
 - a. Loop safety cable at least once around safety cable anchor point rod.
 - b. Loop safety cable at least once around truss/pipe and secure around pipe.
- Step 4. Make sure tilt and pan locks are disengaged so luminaire moves freely.
- Step 5. Connect power and data cables.

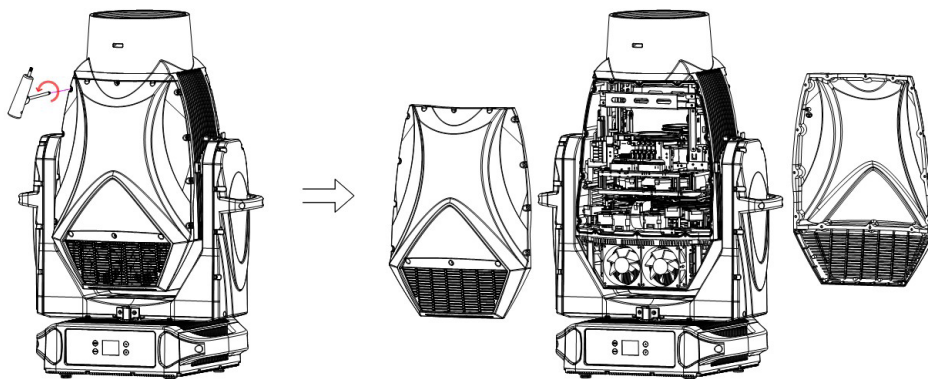


NOTE: Truss hooks shown are sold separately. Truss and pipe by others.

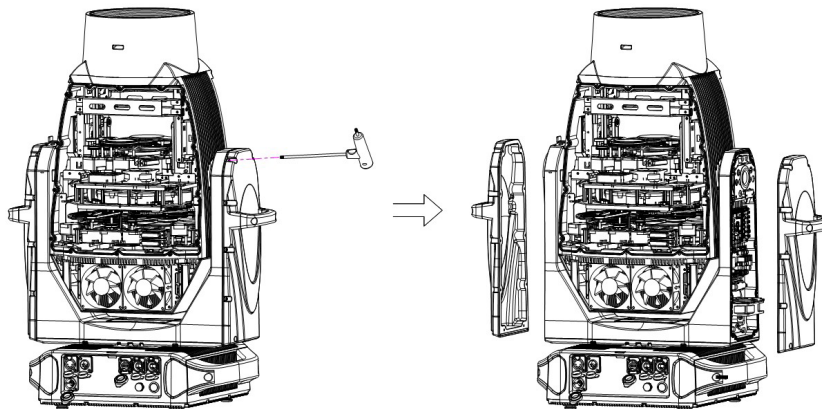
VL3600 PROFILE IP

FIXTURE MAINTENANCE

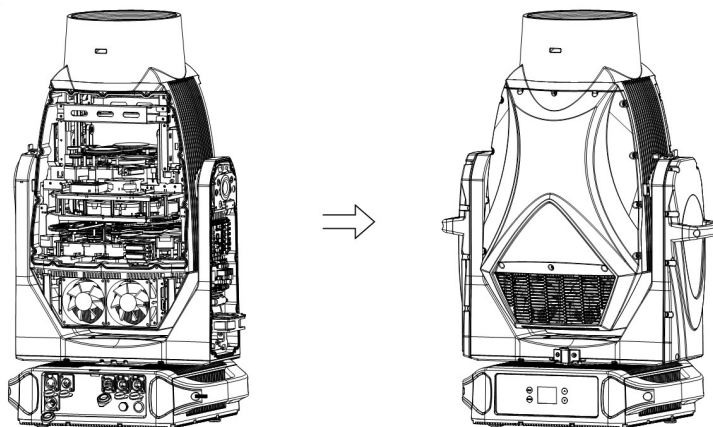
Unscrew the screws of the luminaire head covers with a Torx screwdriver to open the luminaire head covers (no need to move the waterproof silicon ring) for after-service.



Unscrew the screws of the luminaire arm covers with a Torx screwdriver to open the luminaire arm covers (no need to move the waterproof silicon ring) for after-service.

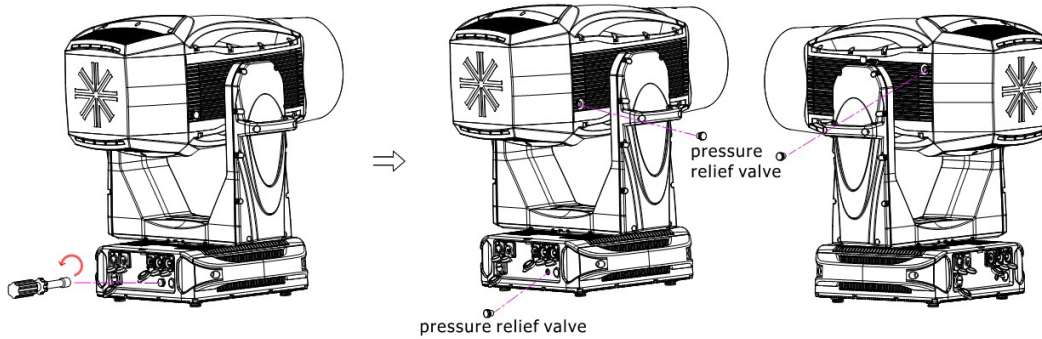


After maintenance, power on the luminaire to check whether all functions are normal. Install the head and arm covers and check carefully whether they are locked, free of bumps and large gaps.

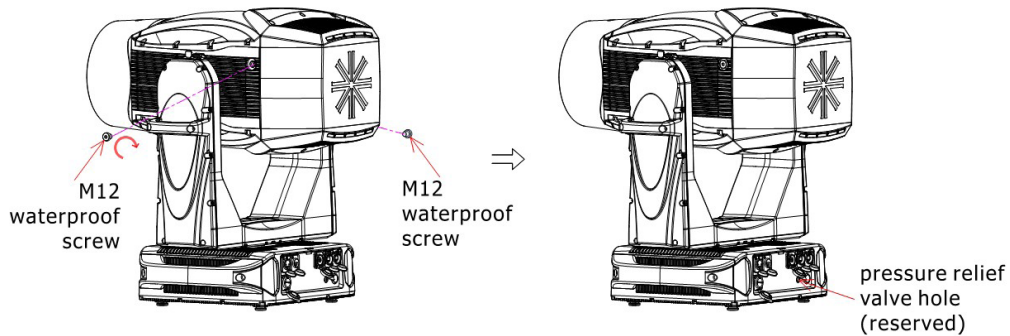


VL3600 PROFILE IP

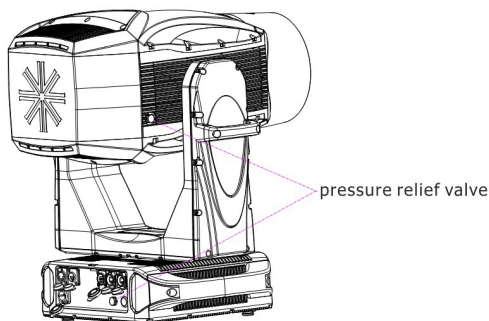
Adjust the luminaire head to the illustrated state and ready for air tightness test.
Remove three pressure relief valves with a 16mm hex sleeve screwdriver.



After removing the three pressure relief valves, lock any two pressure relief valve holes with two M12 waterproof screws, and insert the air hose of the air tightness tester into the remaining pressure relief valve hole. Power on the air tightness tester, adjust the parameters, run the test and wait for the test results.



After the test is passed, remove the two M12 waterproof screws and put the three pressure relief valves back in place.

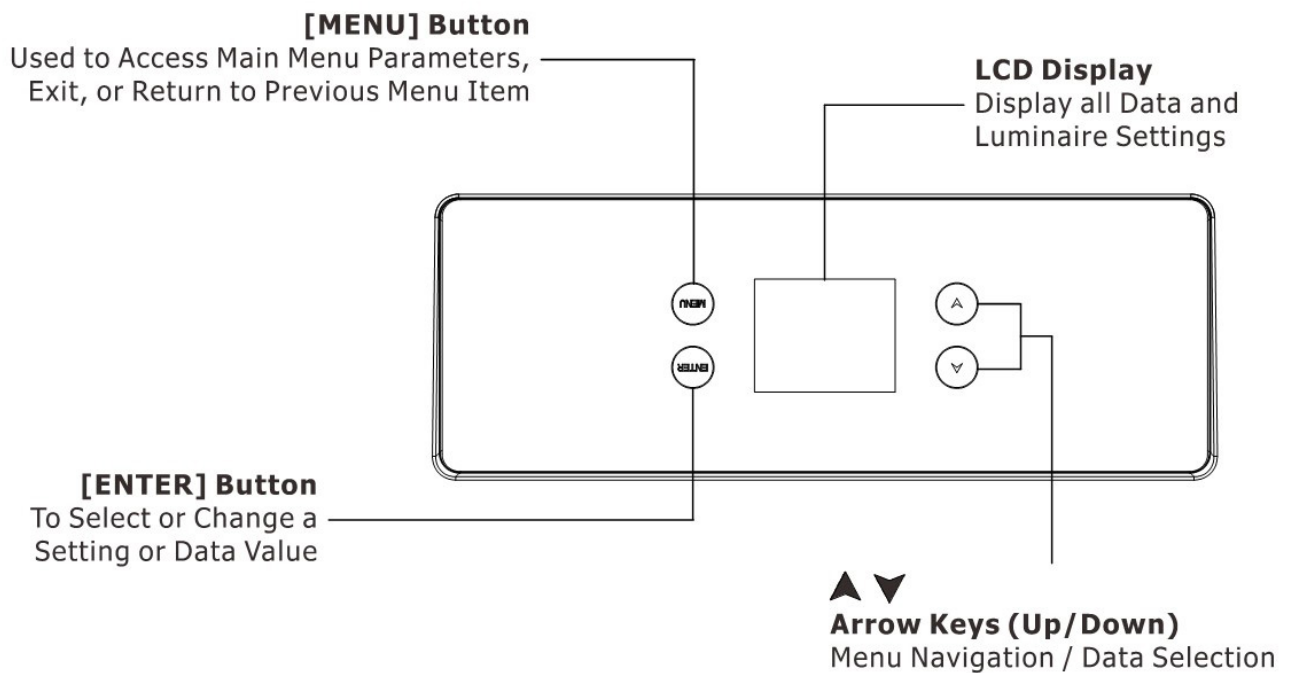


VL3600 PROFILE IP

MENU CONTROLS

The menu system is controlled by an OK (Enter), MENU (Escape), and two Arrow (▲▼) buttons.

Press and hold the ENTER button, and then quickly press the UP▲, Down▼, UP▲, DOWN▼ buttons in 2s to unlock the screen.



QUICK REFERENCE MENU KEY SHORTCUTS

MENU KEY SHORTCUTS	FUNCTION
Holding Menu at Power up	Bypass Calibration
Menu + Up	ReCal All
Menu + Down	Pan / Tilt Deactivated
Menu + Enter	Factory Defaults
Enter + Up	LED On
Enter + Down	LED Off
Up + Down	Display FLIP
Enter + Up + Down at Power up	Reset Timers Shortcut

VL3600 PROFILE IP

QUICK REFERENCE DMX MAPS

The short form DMX maps are available on the following pages. Visit the product page for full DMX maps.

- [Table 2. 16-Bit](#)
- [Table 3. 16-Bit Enhanced Mode \(Default\)](#)

TABLE 2.

DMX CHANNEL	PARAMETER
1	Intensity High
2	Intensity Low
3	Pan High
4	Pan Low
5	Tilt High
6	Tilt Low
7	Focus High
8	Focus Low
9	Zoom High
10	Zoom Low
11	Cyan
12	Yellow
13	Magenta
14	CTO Wheel
15	Color Adjustment (Color Wheel 2)
16	Color Wheel 1
17	Color Wheel 1 Control
18	Gobo Wheel 1 (Fixed)
19	Gobo Wheel 1 Control
20	Gobo Wheel 2
21	Gobo Wheel 2 Rotate/Index High Byte
22	Gobo Wheel 2 Rotate/Index Low Byte
23	Gobo Wheel 2 Control
24	VLFX (Gobo Wheel 3)
25	VLFX (Gobo Wheel 3) Rotate/Index High Byte

16-BIT MODE

DMX CHANNEL	PARAMETER
26	VLFX (Gobo Wheel 3) Rotate/Index Low Byte
27	VLFX (Gobo Wheel 3) Control
28	Iris
29	Frame 1A
30	Frame 1B
31	Frame 2A
32	Frame 2B
33	Frame 3A
34	Frame 3B
35	Frame 4A
36	Frame 4B
37	Frame Rotate
38	Prism 1 (Triangular)
39	Prism 1 Index/Rotate High Byte
40	Prism 1 Index/Rotate Low Byte
41	Prism 2 (Flat)
42	Prism 2 Index/Rotate High Byte
43	Prism 2 Index/Rotate Low Byte
44	Frost
45	Strobe
46	Future use channel
47	Programmers Channel
48	Fan Control
49	Luminaire Control

VL3600 PROFILE IP

TABLE 3. 16-BIT ENHANCED MODE (DEFAULT)

DMX CHANNEL	PARAMETER	DMX CHANNEL	PARAMETER
1	Intensity High	28	Iris
2	Intensity Low	29	Frame 1A
3	Pan High	30	Frame 1B
4	Pan Low	31	Frame 2A
5	Tilt High	32	Frame 2B
6	Tilt Low	33	Frame 3A
7	Focus High	34	Frame 3B
8	Focus Low	35	Frame 4A
9	Zoom High	36	Frame 4B
10	Zoom Low	37	Frame Rotate
11	Cyan	38	Prism 1 (Triangular)
12	Yellow	39	Prism 1 Index/Rotate High Byte
13	Magenta	40	Prism 1 Index/Rotate Low Byte
14	CTO Wheel	41	Prism 2 (Flat)
15	Color Adjustment (Color Wheel 2)	42	Prism 2 Index/Rotate High Byte
16	Color Wheel 1	43	Prism 2 Index/Rotate Low Byte
17	Color Wheel 1 Control	44	Frost
18	Gobo Wheel 1 (Fixed)	45	Strobe
19	Gobo Wheel 1 Control	46	Future use channel
20	Gobo Wheel 2	47	Programmers Channel
21	Gobo Wheel 2 Rotate/Index High Byte	48	Focus Timing
22	Gobo Wheel 2 Rotate/Index Low Byte	49	Optics Timing
23	Gobo Wheel 2 Control	50	Color Timing
24	VLFX (Gobo Wheel 3)	51	Beam Timing
25	VLFX (Gobo Wheel 3) Rotate/Index High Byte	52	Gobo Timing
26	VLFX (Gobo Wheel 3) Rotate/Index Low Byte	53	Fan Control
27	VLFX (Gobo Wheel 3) Control	54	Luminaire Control

VL3600 PROFILE IP

WARNING: It is not recommended to power any Vari-Lite fixture from a dimmer - even in 'NONDIM' mode. Dimmer and non-dim modules are not suitable sources of power because their output modifies the AC wave form. This may work for a short time, but will eventually result in power problems, operating errors, and/or fixture failure and may void the warranty.

WARNING: It is the responsibility of the user to adequately protect supply source with a correct size and type circuit breaker and not overload circuits.

WARNING: This unit has a battery. Replace only with the correct type of battery. Failure to use the correct battery could cause serious damage to the fixture. Dispose of used batteries appropriately.

IEC/TR 62778 NOTICE ON RETINAL BLUE LIGHT HAZARD	
For reference only. Refer to product label for specific warnings for this product.	
Risk Group 1	None
Risk Group 2	CAUTION! Do not stare into beam.
Risk Group 3	WARNING! Do not look into the beam. No direct eye exposure to the beam is permitted.

VL3600 PROFILE IP

SAFETY WARNINGS AND NOTICES

Read this user manual in full before attempting to install, operate or maintain the fixture to which it relates. This user manual is intended to provide general guidance to such suitably qualified personnel. Installation and operation of the fixture are to be performed by qualified personnel only.

When using electrical equipment, basic safety precautions should always be followed including the following:

READ AND FOLLOW ALL SAFETY INSTRUCTIONS.

- This product is IP65-rated. Suitable for wet locations. Do not immerse in water.
- Use safety tether when mounting.
- Equipment should be mounted in locations and at heights where it will not be readily subjected to tampering by unauthorized personnel.
- Not for residential use. Do not use this equipment for other than intended use.
- Note distance requirement(s) from combustible materials or illuminated objects. Do not mount near gas or electric heaters.
- Install only in locations with adequate ventilation. Ensure sure that ventilation slots are not blocked.
- Ensure that the voltage and frequency of the power supply match the power requirements of the fixture.
- The fixture must be earthed/grounded to the appropriate conductor.
- Do not operate fixture outside the specified ambient temperature range.
- Do not connect the fixture to any dimmer pack.
- The use of accessory equipment not recommended by the manufacturer may cause an unsafe condition and void warranty.
- Refer service to qualified personnel. This fixture contains no user serviceable parts.
- Prior to first use, carefully inspect fixture to ensure no damage has occurred during shipping.
- Materials used in the manufacturing process can cause strong odors when the product is new. These odors dissipate over time.
- Prior to each use, carefully inspect power cables and replace any damaged cables.
- Exterior surfaces of the luminaire will be hot during operation. Take appropriate precautions.
- Continuous use of the fixture may shorten the lifespan. Power down the fixture when not in use.
- Do not cycle power on and off repeatedly. Disconnect mains power if the fixture is not used for an extended period.
- Clean fixtures regularly, particularly when working in a dusty environment.
- Never touch power cables or wires while the fixture is powered on.
- Avoid entangling power wires with other cables.
- In the event of a serious operating problem, immediately discontinue using the fixture.
- It is hazardous to operate luminaires without lens or shield. Shields, lenses, or ultraviolet screens shall be changed if they have become visibly damaged to such an extent that their effectiveness is impaired, for example, by cracks or deep scratches.
- Original packing materials can be reused for transporting the fixture.
- Do not look directly at the LED light beam while the fixture is on.
- This is a Class A product. In a domestic environment this product may cause radio interference, in which case, the user may be required to take adequate measures.
- The light source contained in this luminaire shall only be replaced by the manufacturer or service agent or similarly qualified person.

SAVE THESE INSTRUCTIONS.

WARNING: Refer to National Electrical Code® and local codes for cable specifications. Failure to use proper cable can result in damage to equipment or danger to personnel.

COMPLIANCE NOTICE



FCC DECLARATION OF CONFORMITY

This equipment has been tested and found to comply with the limits for a Class A digital device pursuant to Part 15 of FCC Rules. These limits are designed to provide reasonable protection against harmful interference when this equipment is operated in a commercial environment. This equipment generates, uses, and can radiate radio frequency energy and, if not installed and used in accordance with Vari-Lite Strand system, service, and safety guidelines, may cause harmful interference to radio communications.

As tested under this standard:

FCC 47CFR 15B cIA*CEI

Issued:2009/10/01 Title 47 CFR Part 15 Subpart B Unintentional Radiators Class A

Operation of this equipment in a residential area is likely to cause harmful interference, in which case the user will be required to correct the interference at his/her own expense.



EU DECLARATION OF CONFORMITY

We, Vari-Lite LLC., 10911 Petal Street, Dallas, Texas 75238, declare under our responsibility for the products contained herein are in conformity with the essential requirements of the following European Directives and harmonized standards:

Low Voltage Director (LVD), 2006/95/EC

EN 60589-2-17:1984+A1:1987+A2:1990 used in conjunction with 60598-1:2008/A11:2009

©2022 Signify Holding. All rights reserved.

All trademarks are owned by Signify Holding or their respective owners. The information provided herein is subject to change, without notice. Signify does not give any representation or warranty as to the accuracy or completeness of the information included herein and shall not be liable for any action in reliance thereon. The information presented in this document is not intended as any commercial offer and does not form part of any quotation or contract, unless otherwise agreed by Signify. Data subject to change.

CUSTOMER SERVICE

If you have any questions regarding this product, please contact Customer Service by phone at +1 214-647-7880 or by email at entertainment.service@signify.com.

VL3600 PROFILE IP QUICK START GUIDE

VERSION DATE:

JULY 20 2022